

# Schröder

## FLEXIA FG

### Midi & Maxi

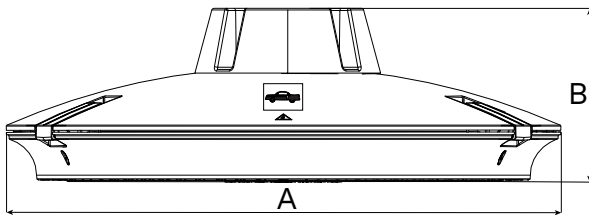
#### Suspended

ENG	INSTALLATION INSTRUCTIONS	ITA	ISTRUZIONI DI INSTALLAZIONE	NLD	INSTALLATIE INSTRUCTIES	DAN	INSTALLATIONSVEJLEDNING	HUN	TELEPÍTÉSI ÚTMUTATÓ
DEU	INSTALLATIONSANLEITUNG	POL	INSTRUKCJE MONTAŻU	RUS	Инструкции по установке	RON	INSTRUCȚIUNI DE INSTALARE	CHI	安装说明
FRA	INSTRUCTIONS DE MONTAGE	SPA	INSTRUCCIONES DE INSTALACIÓN	POR	INSTRUÇÕES DE INSTALAÇÃO	SWE	INSTALLATIONSANVISNING	UKR	Інструкції з монтажу
SRP	UPUTSTVA ZA INSTALACIJU	ARA	تعليمات التركيب						

220-240V	IP	IK
120-277V		
347V		

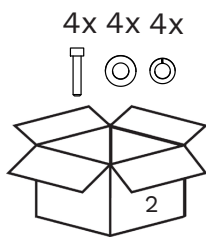
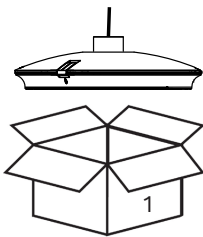
66	09
----	----

### FLEXIA FG Midi

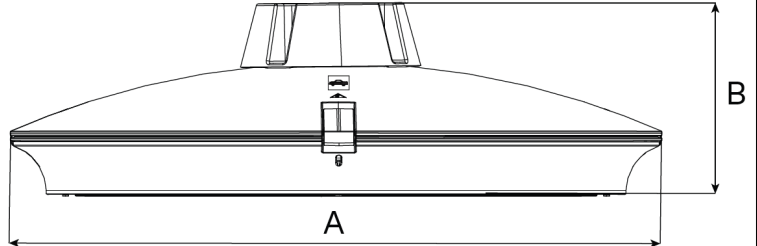


A	Ø504
B	152
Kg	9,6
Mass Tolerance (Kg)	+/- 0,8

Cd.S	0,093 m <sup>2</sup>
Cs.S	0,026 m <sup>2</sup>
Cl.S	0,107 m <sup>2</sup>

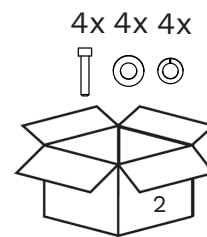
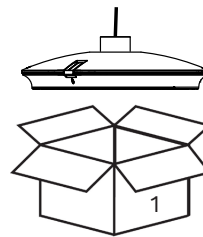


### FLEXIA FG Maxi



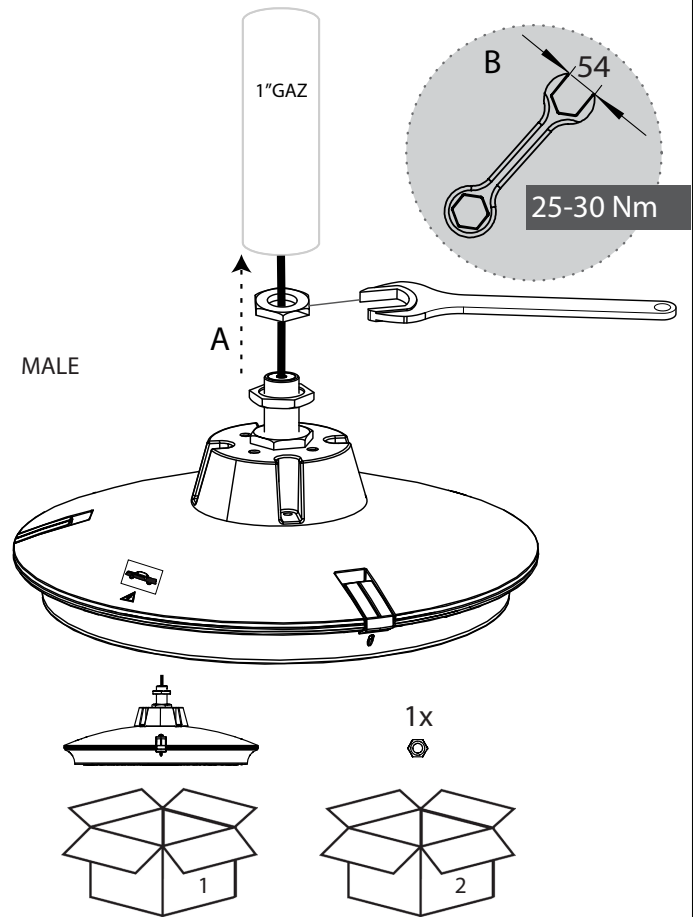
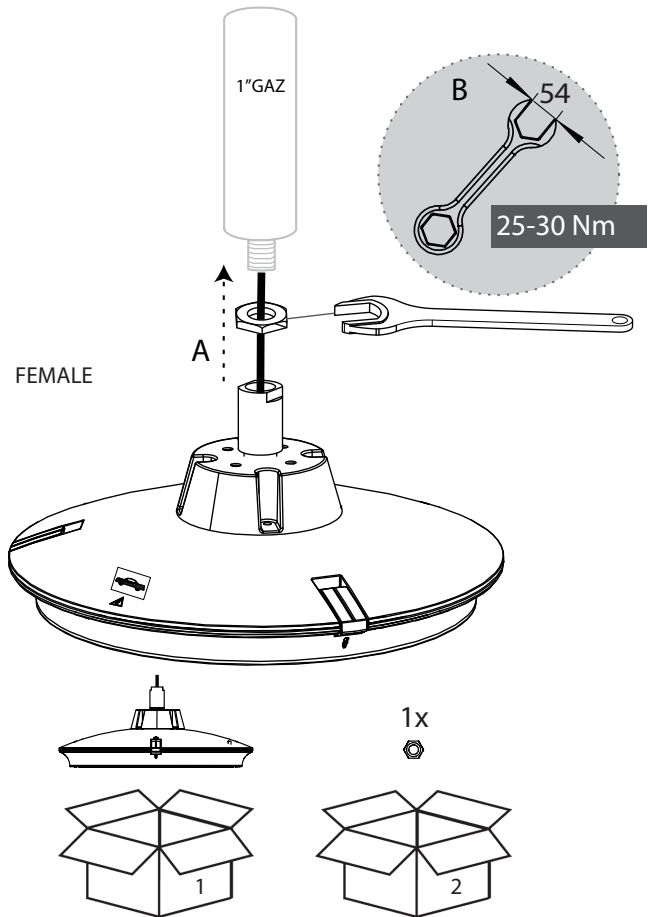
A	Ø610
B	175
Kg	13,13

Cd.S	0,102 m <sup>2</sup>
Cs.S	0,004 m <sup>2</sup>
Cl.S	0,102 m <sup>2</sup>

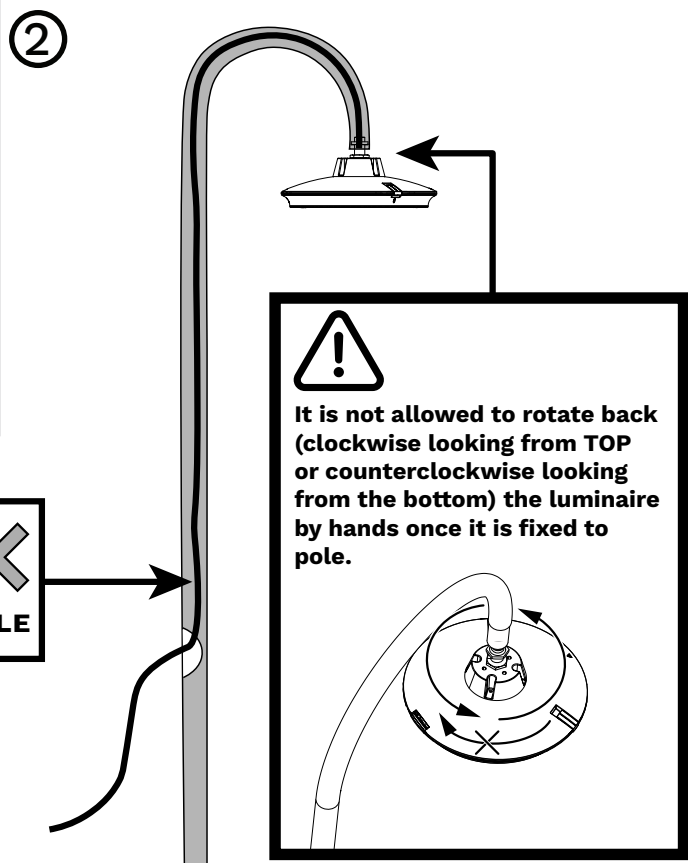
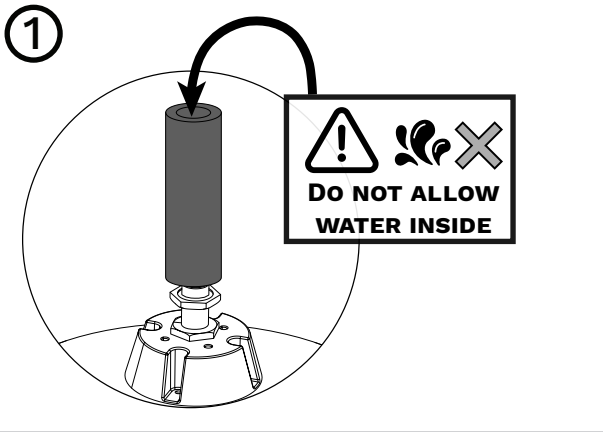




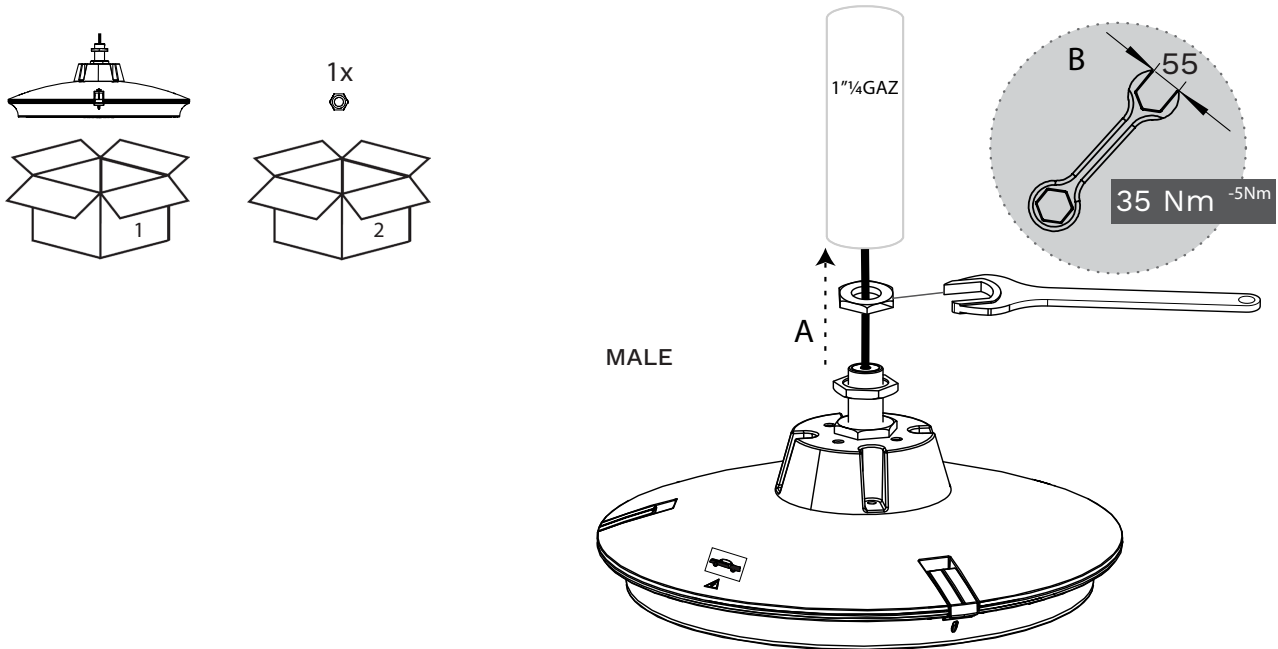
# A1. SUSPENDED WITH FIXED 1" GAS



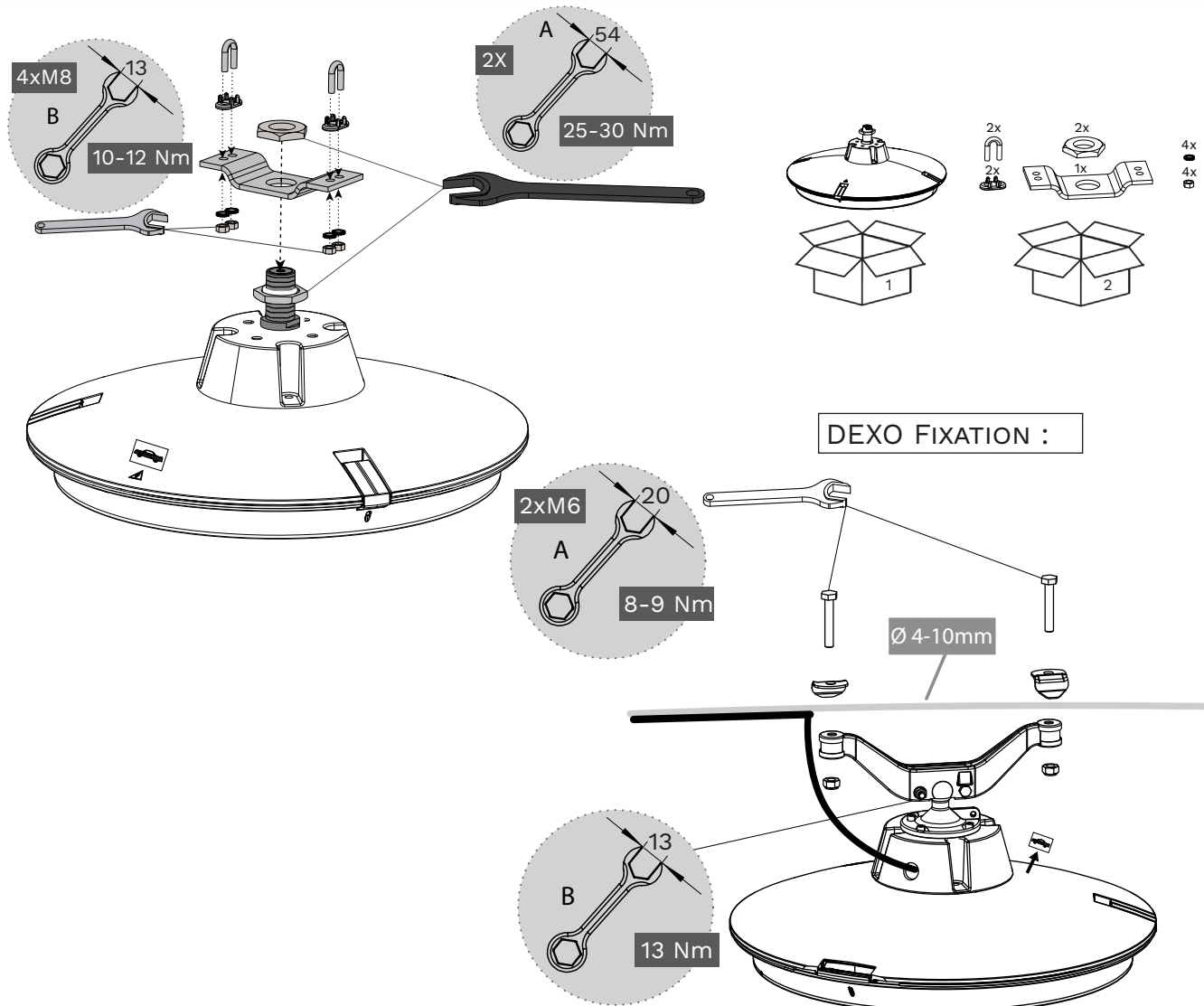
# A2. SUSPENDED FIXATIONS PRELIMINARY INSTRUCTIONS - WITH CABLE



⚠️ ⊗ ⚡ ~ | **B. SUSPENDED MALE ON FEMALE 1"1/4 & SUSPENDED WITH FIXED 3/4" GAS**

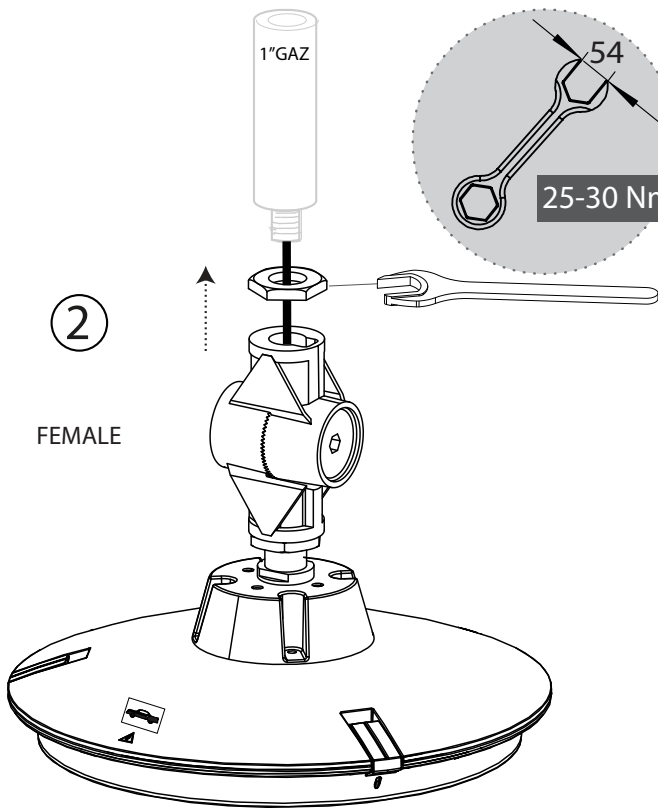
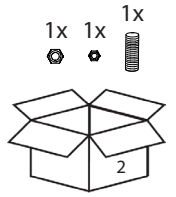
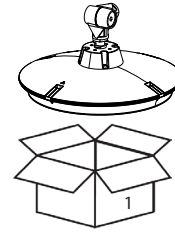
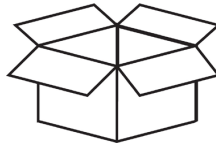
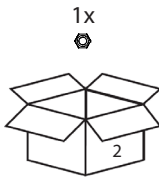
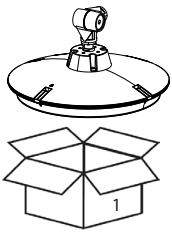
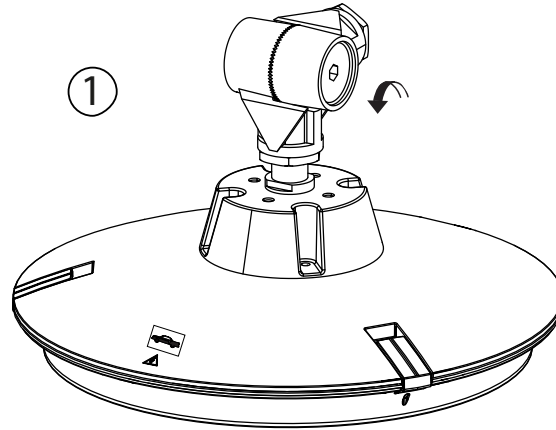


⚠️ ⊗ ⚡ ~ | **C. SUSPENDED CATENARY FIXED & ADJUSTABLE DEXO (MIDI SIZE ONLY)**

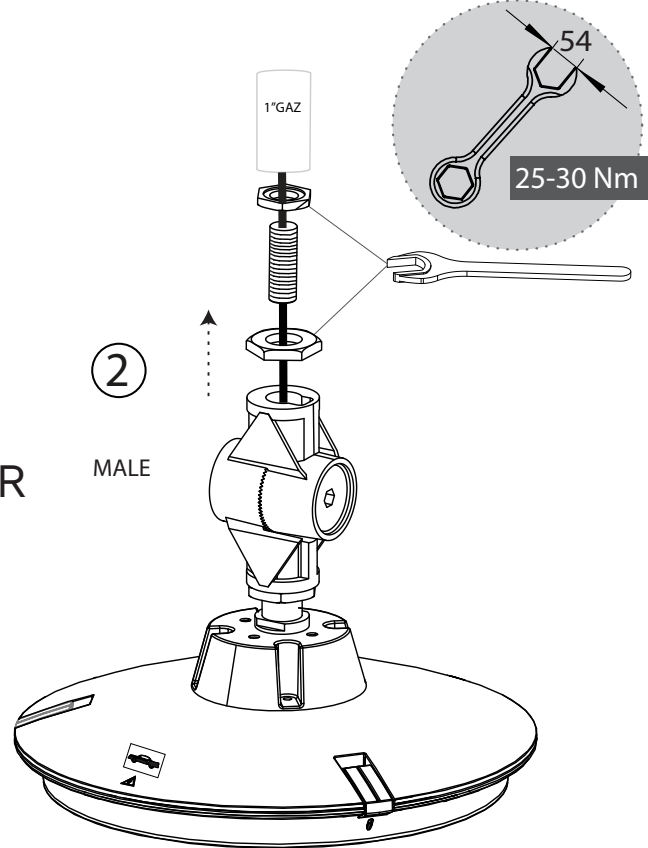




# D. SUSPENDED AND KNUCKLE JOINT 1" GAS

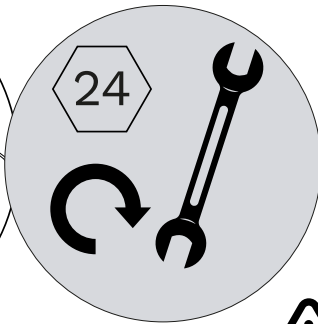
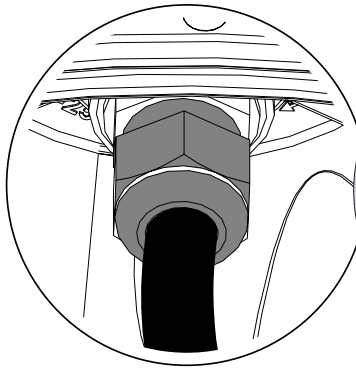


OR

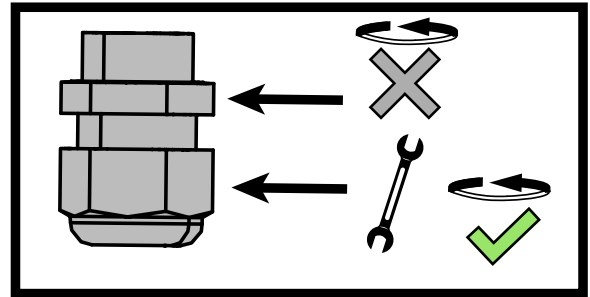




## E. CABLE GLAND



**NUT AND LOCKNUT  
MUST BE TIGHTENED  
AGAINST EACH OTHER**

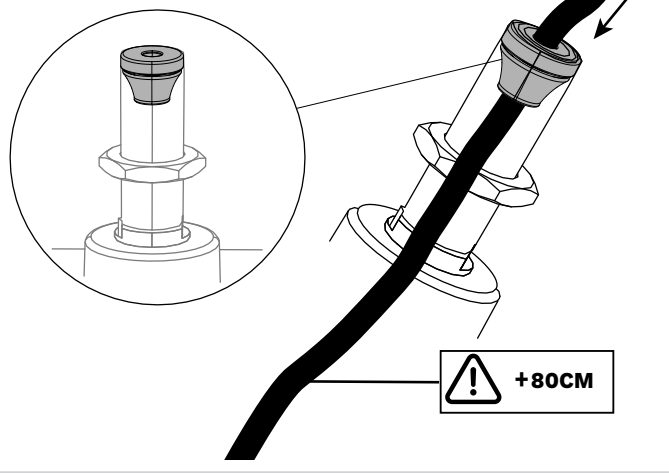


## F. WITHOUT MAIN CABLE

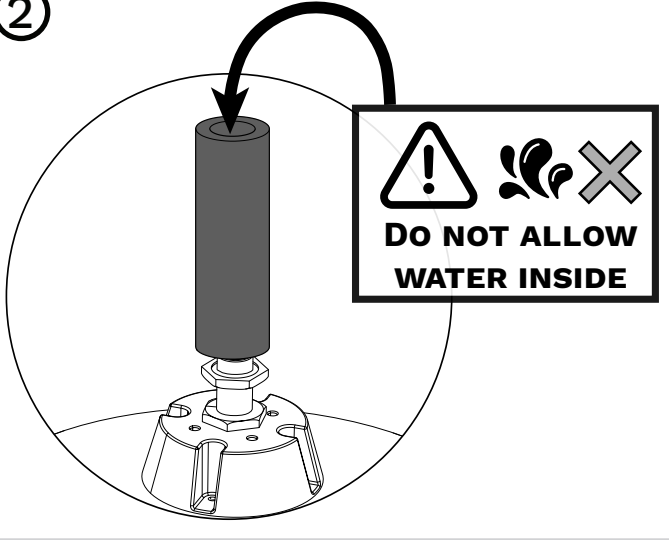
### EXTRA STEPS

**! CABLE REQUIREMENTS : H05VV-F, H07RN-F OR SOOW COMPLIANT / Ø8 - 13MM  
NO GREASE, NO TWISTS AND NO DETERIORATION**

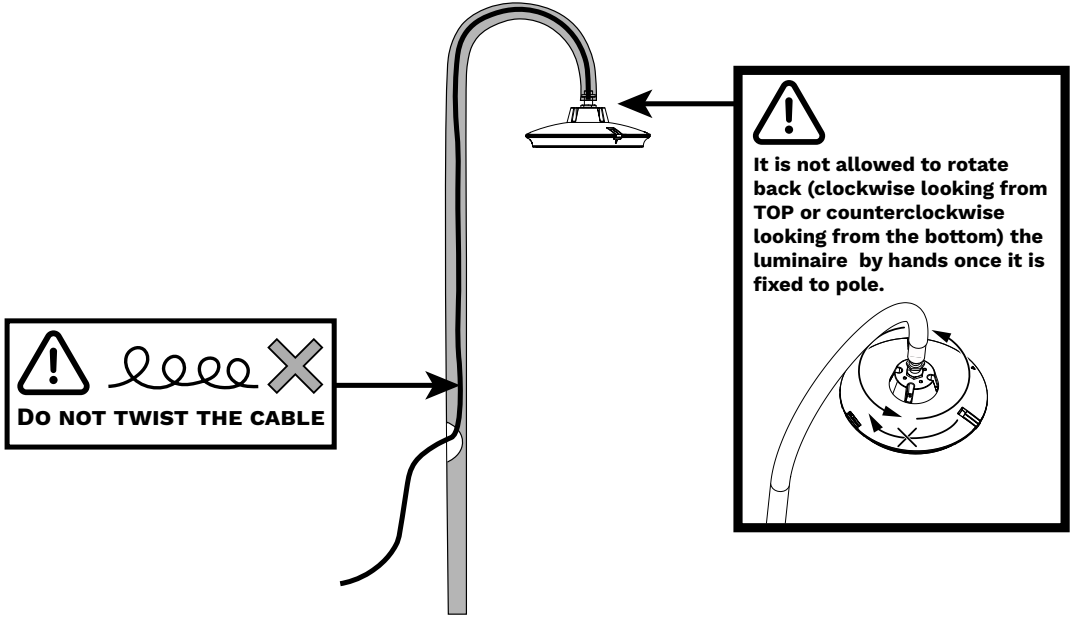
1



2



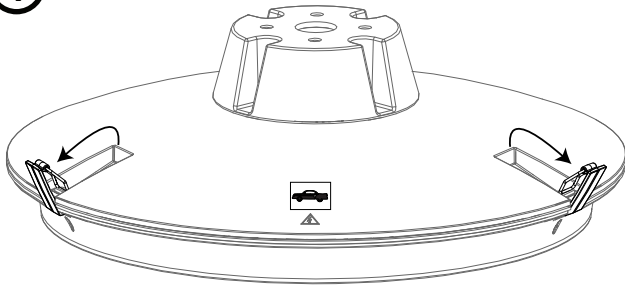
3



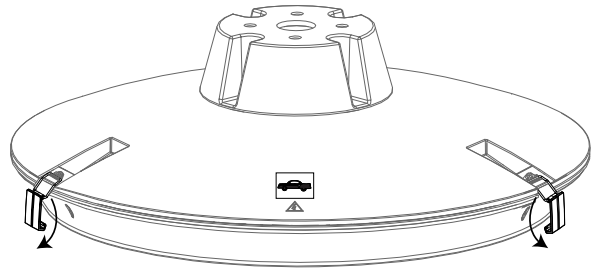


## G. MAINTENANCE (CR-KIT EU)

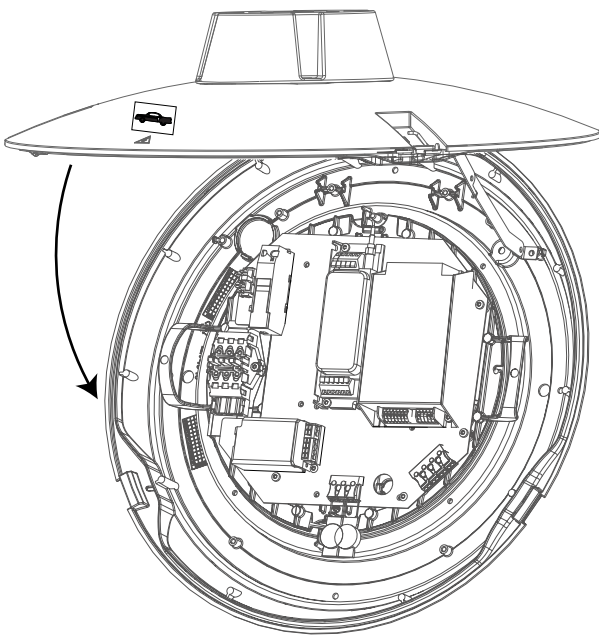
①



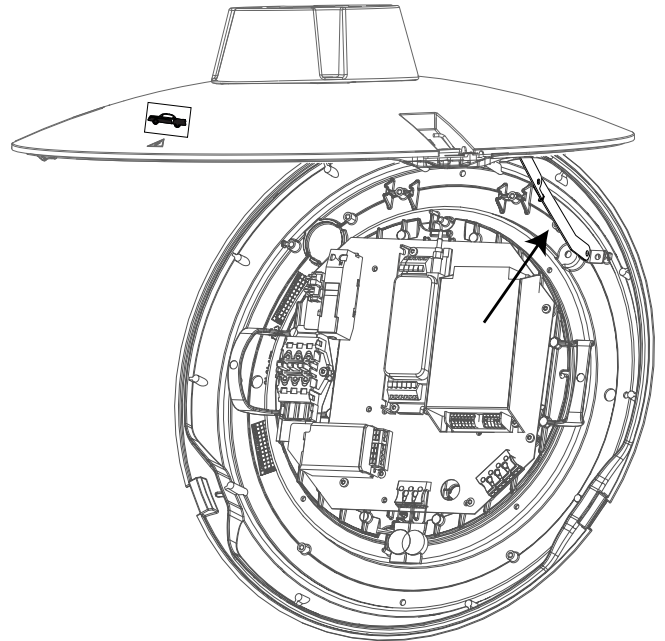
②



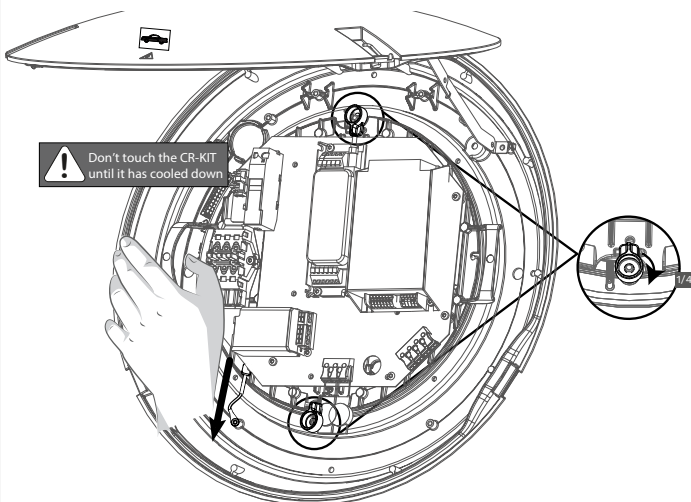
③



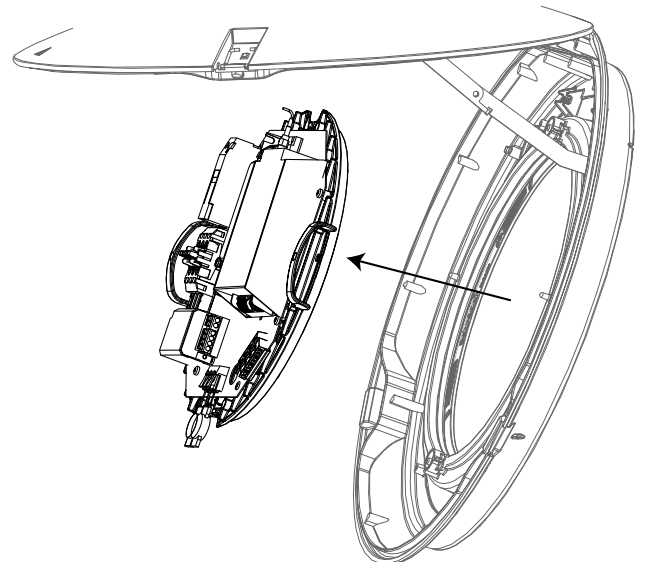
④



⑤



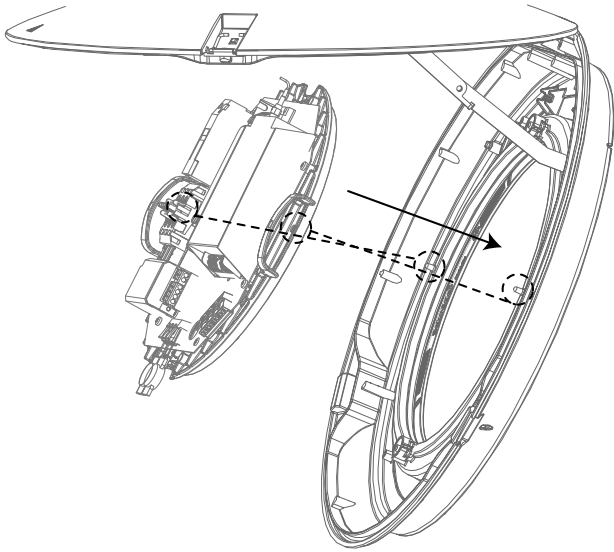
⑥



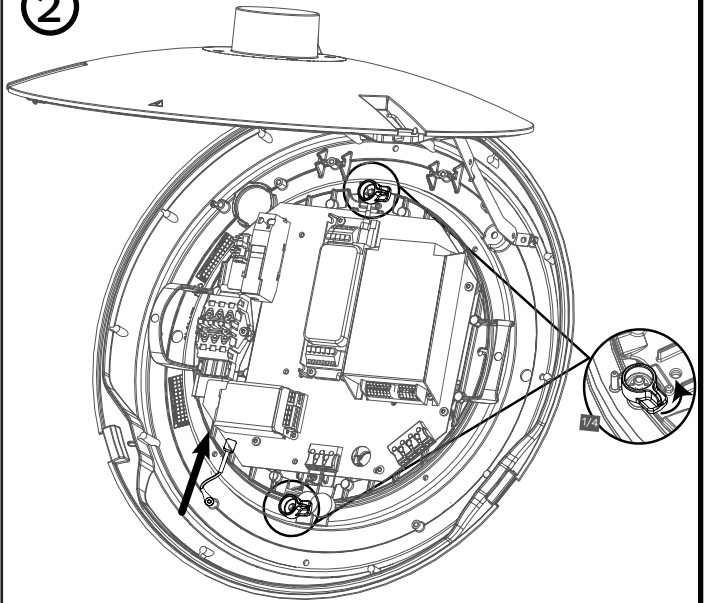


## H. REASSEMBLING

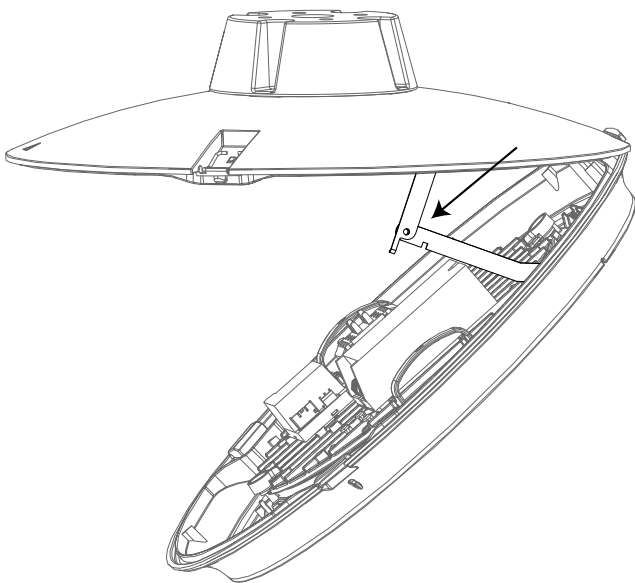
①



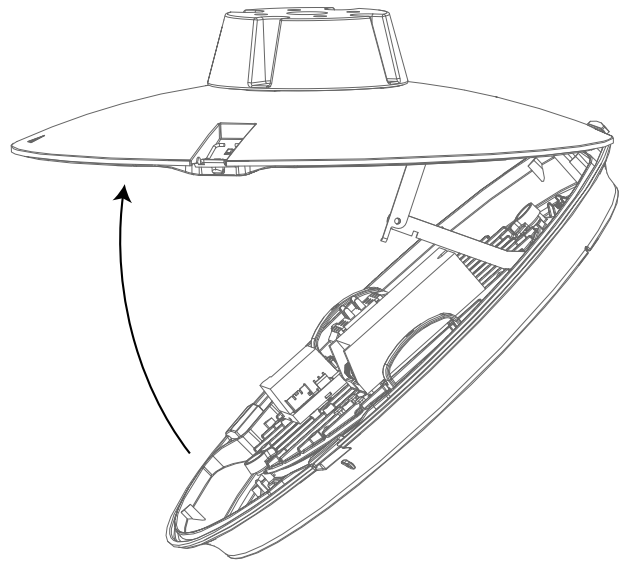
②



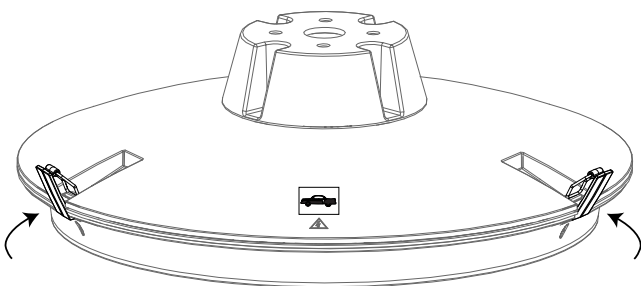
③



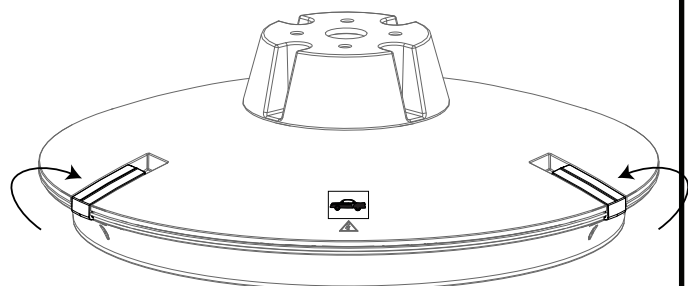
④



⑤



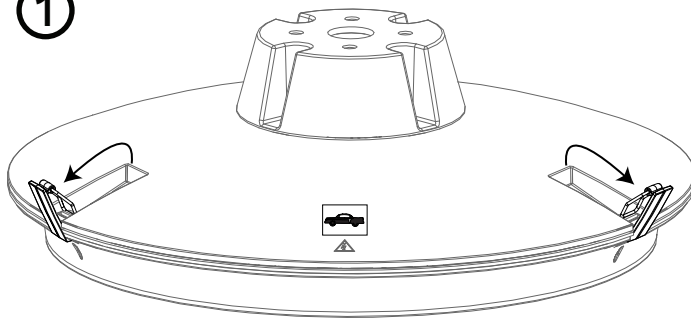
⑥



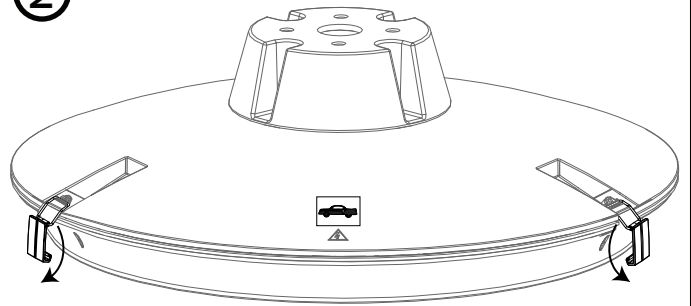


# I. MAINTENANCE (CR-KIT CSA/UL)

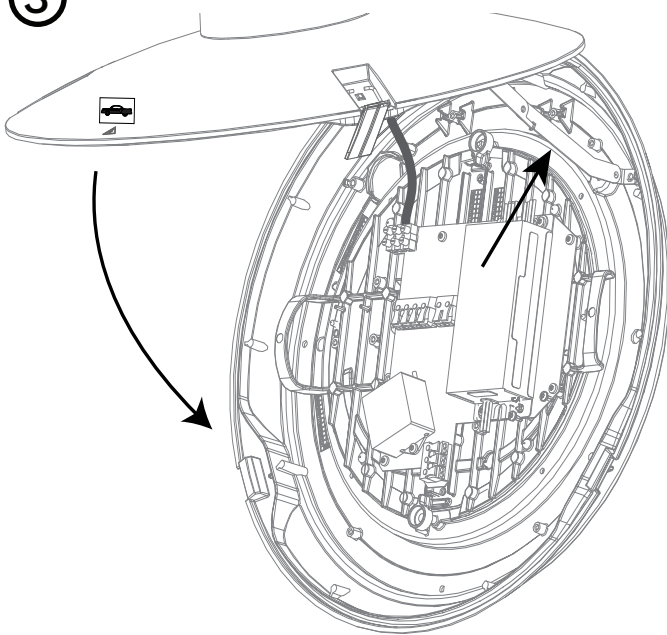
①



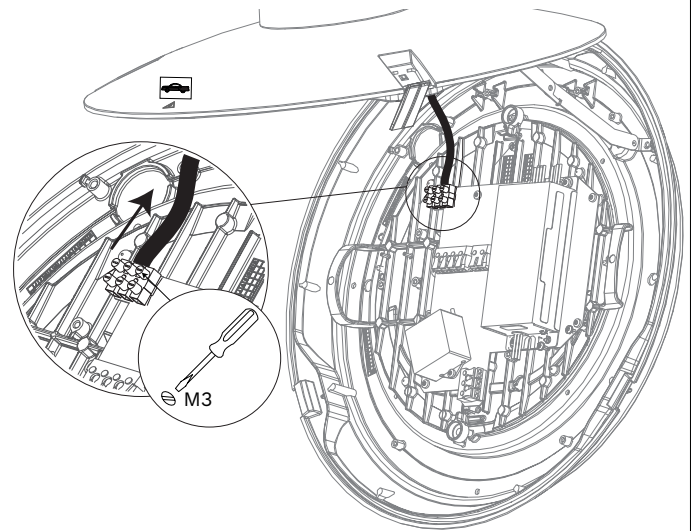
②



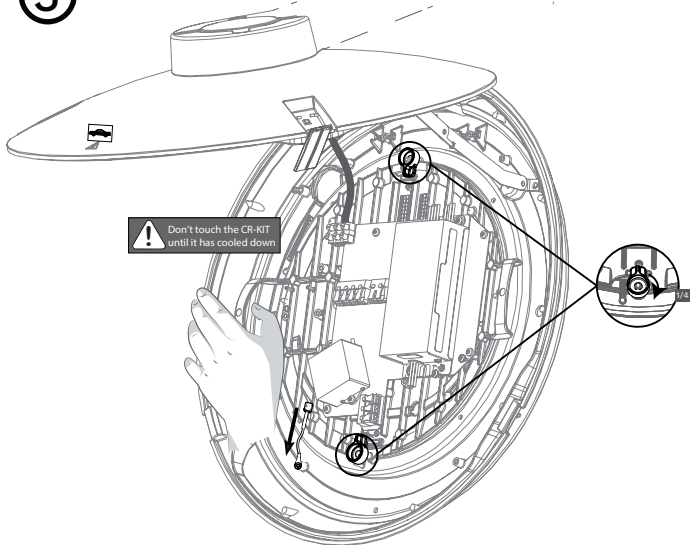
③



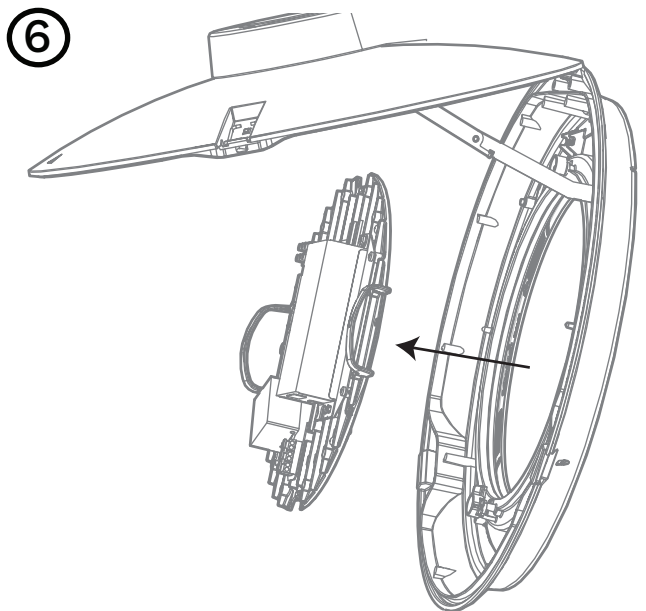
④



⑤



⑥

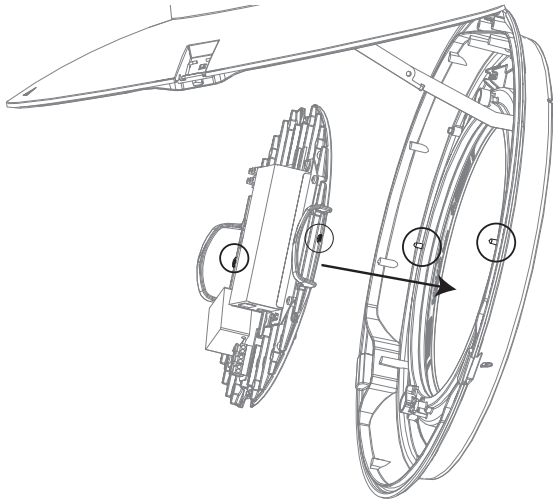




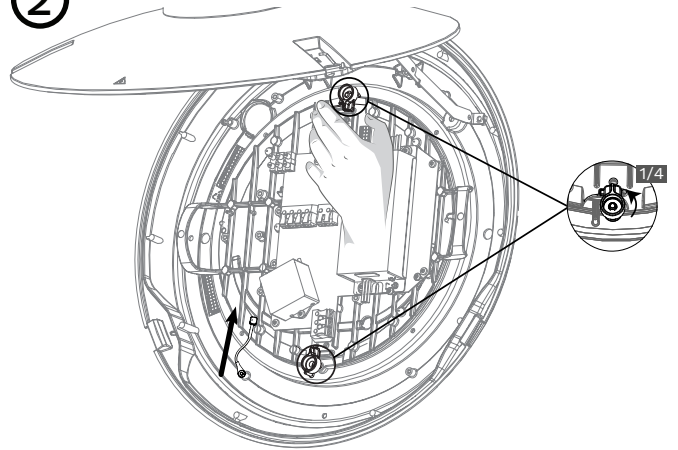


# J. REASSEMBLING (CR-KIT CSA/UL)

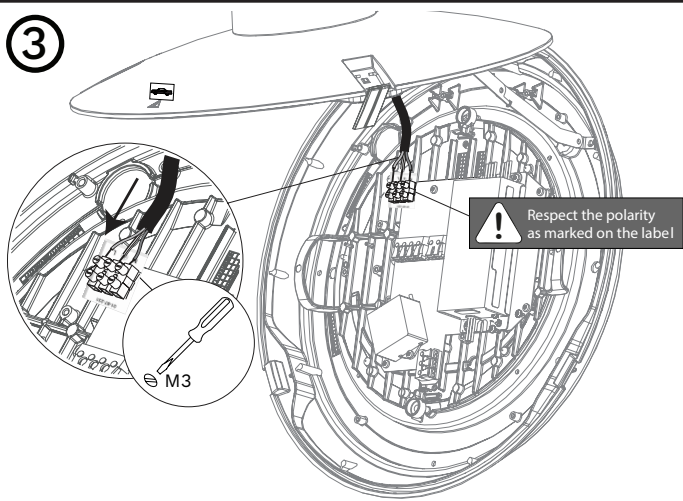
①



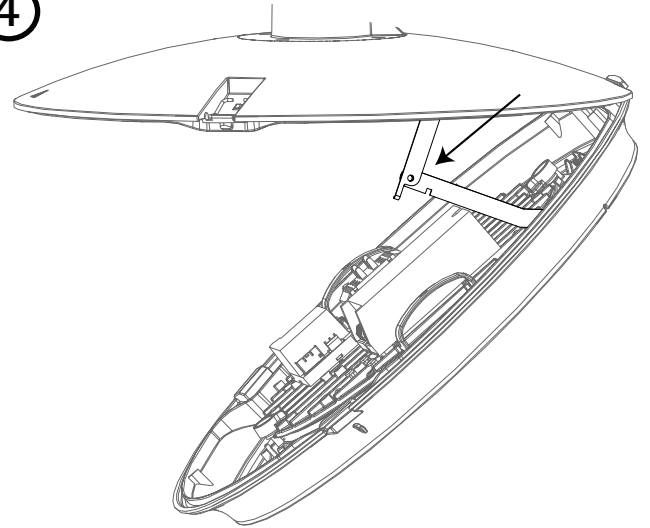
②



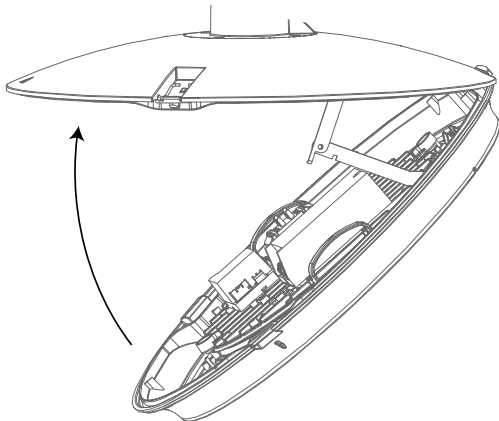
③



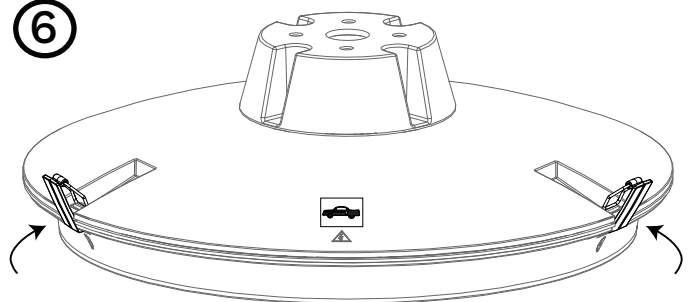
④



⑤



⑥



⑦

